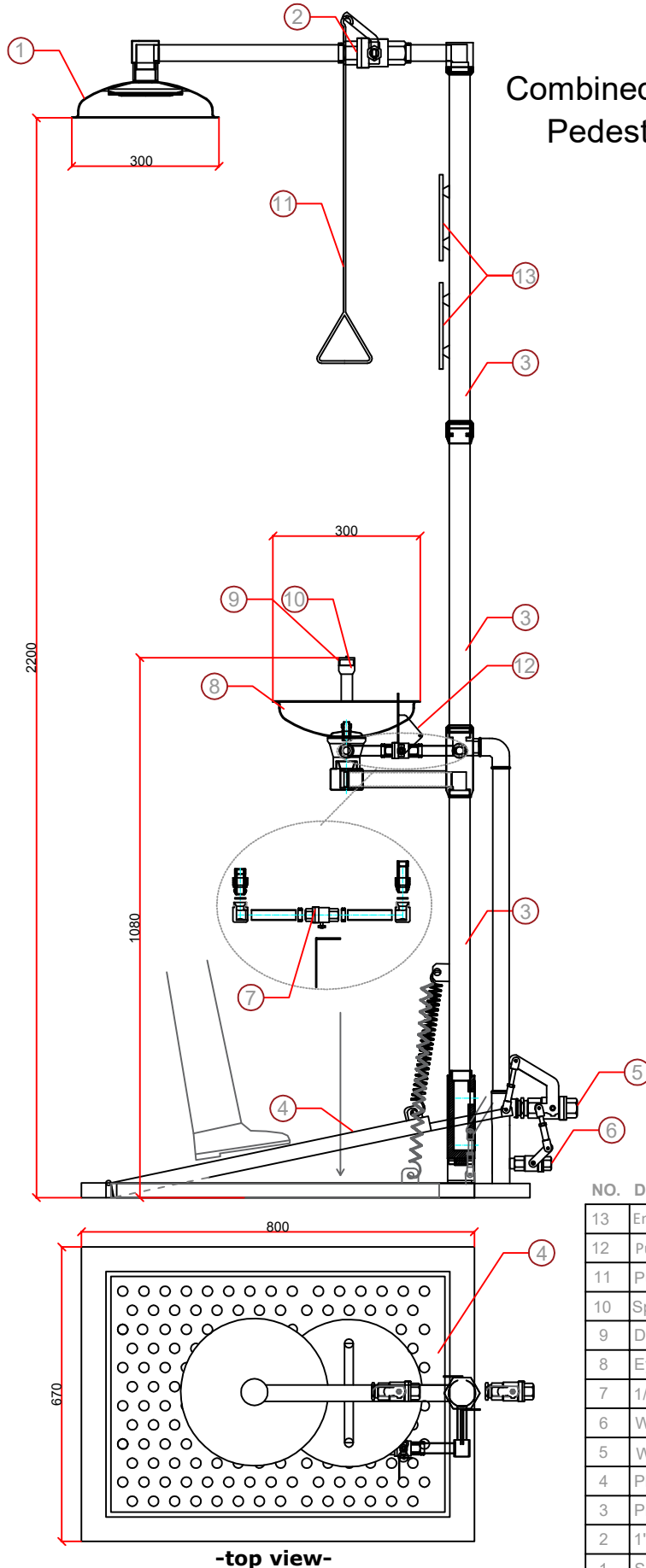


Combined Unit, ISTEK Type ESW Pedestal Type With Platform



Standarts: EN 15154-1-2
Water Flow: 75 lt / min for Shower
11,4 lt/min for eye wash
Total Weight: 38 kgs
Packed Dimensions: 71x101x27 cm

Static test pressure : 7 bar
Min using pressure : 1,4 bar
Max using pressure : 2,8 bar

NO.	DESCRIPTION	MATERIAL
13	Emergency Sign	Phosphorus
12	Push Handle Control for Eyewash	Galvanized Painted Steel
11	Pull rod control for Shower	Galvanized Painted Steel
10	Spray Nozzles	Brass
9	Dust Cover on Eyewash Spray	Plastic
8	Eyewash Bowl	Galvanized Painted Steel
7	1/2" Ball Valve	Brass
6	Water Outlet 1/2", Frost Protection	Brass
5	Water Inlet 1"	Brass
4	Platform Control for Non-freeze	Galvanized Painted Steel
3	Pipes	Galvanized Painted Steel
2	1" Ball Valve	Brass
1	Shower head Bowl (Ø300mm)	Galvanized Painted Steel



REV.	DATE	DESCRIPTION	DESIGNED	CHECKED	APPROVED
A		FIRST ISSUE	SS	FA	ST
			DESIGNED	SS	SIZE
			CHECKED	FA	SCALE
			APPROVED	ST	A4 1/100

CUSTOMER		
PRODUCT		
15038585		
DRAWING NUMBER/DATE:	SHEET:	DRAWING NAME:
3716/1	1	Combined Unit, ISTEK Type ESW
	OF:	Pedestal Type With Platform for Non-Freeze
	1	

STATUS
FOR INFORMATION
FOR REVIEW
FOR APPROVAL

FOR INFO/DESIGN